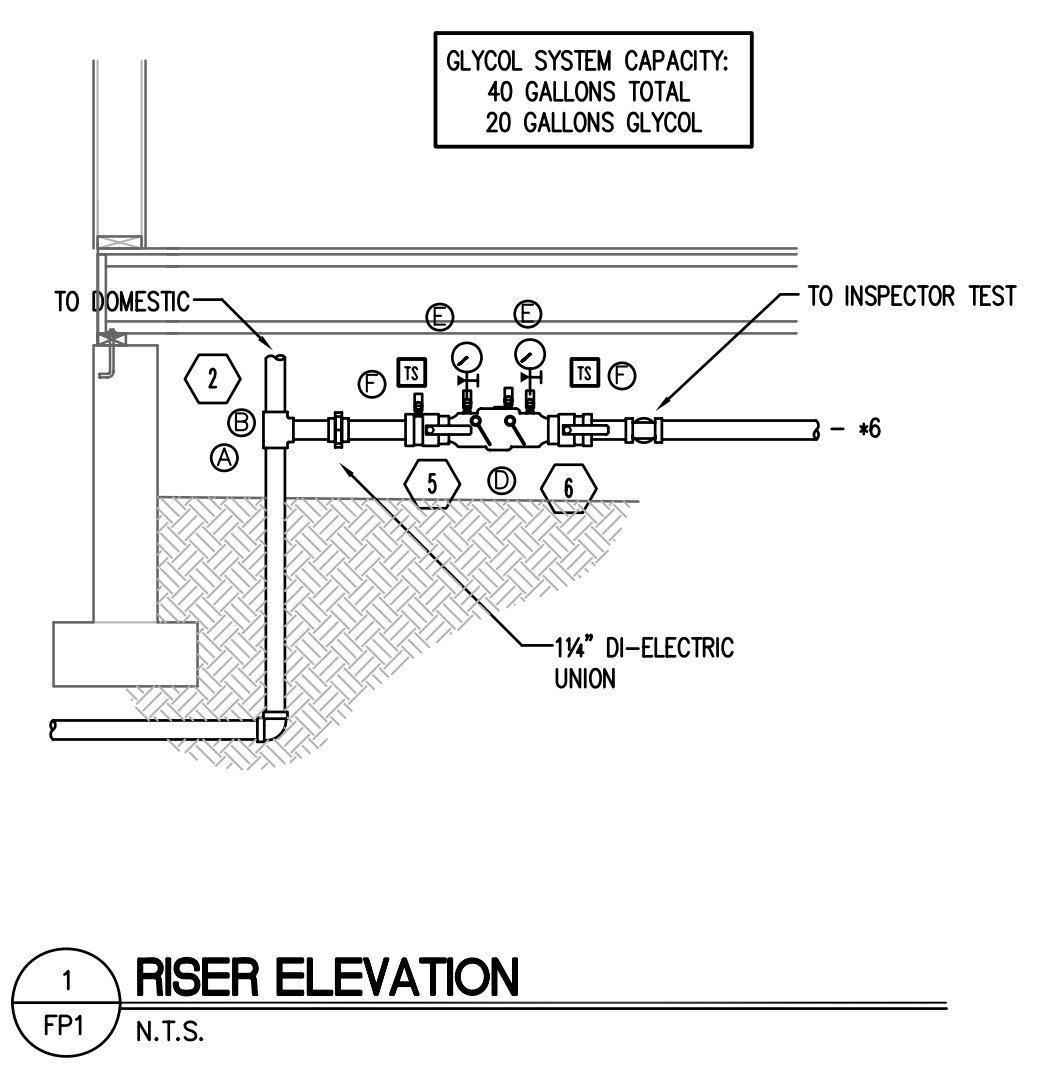
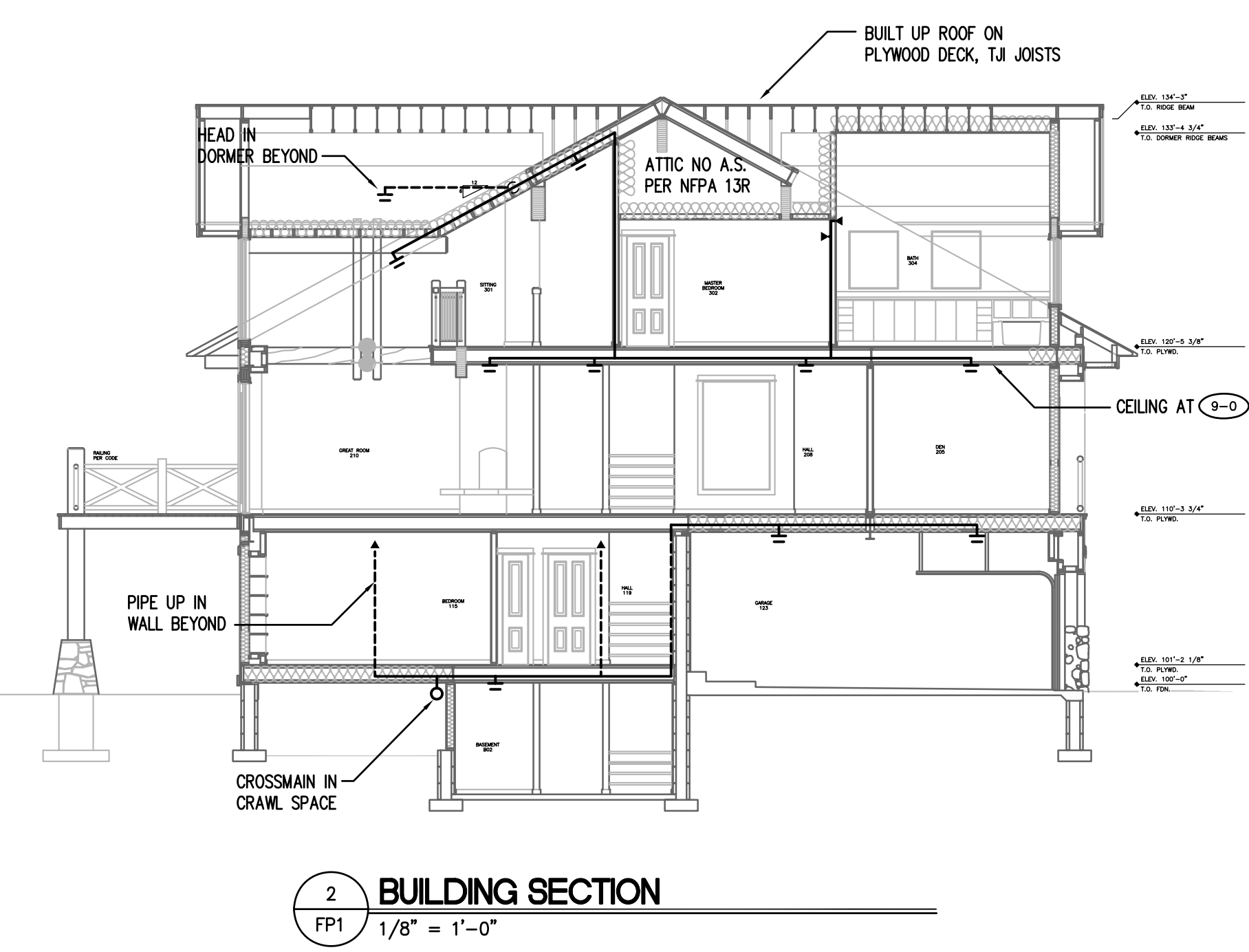


- RISER LEGEND**
- ① CONNECT TO 1 1/2" OUTLET (PROVIDED BY OTHERS)
 - ② 1 1/4" COPPER TEE
 - ③ 1 1/4" ELBOW
 - ④ 1 1/4" REDUCED PRESSURE CHECK VALVE ASSEMBLY - FEBCO 825Y
 - ⑤ 1/4"-3/8" NIPPLE, 1/2" 3-WAY VALVE, 1/2" WATER GAUGE, 1/4" PLUG
 - ⑥ TAMPER SWITCH - POTTER PTS-8 (LOOP STYLE)
 - ⑦ 1 1/4" FLOW SWITCH - POTTER VS-SP INSTALLED IN 1 1/4"x1 1/4" TEE
 - ⑧ 1/2" GLOBE VALVE, 1/2" PLUG - "AUXILIARY DRAIN"
 - ⑨ 1/4" TEST & DRAIN VALVE - AGF 1000 W/ 1/2" ORIFICE K=3.0
 - ⑩ 3/4" GMI 45, 3/4" GALV x-2, (2) 3/4" SOLID GALV WALL PLATES
 - ⑪ SPARE HEAD CABINET (6) WITH WRENCH.
 - ⑫ 1 1/4"x1/4" TEE

FIRE SPRINKLER LEGEND	
SYMBOL	DESCRIPTION
⊙	PENDENT SPRINKLER ON - DROP
●	PENDENT SPRINKLER ON - LINE
○	UPRIGHT SPRINKLER ON - LINE
⊗	UPRIGHT SPRINKLER ON - LINE ALTERNATE
⊕	DOUBLE COMPLIMENT SPRINKLER
▶	SIDEWALL SPRINKLER HEAD
▷	EXTENDED COVERAGE SPRINKLER HEAD
↘	1-WAY SWAY BRACE
↙	2-WAY SWAY BRACE
□	FLOW SWITCH
⊞	TAMPER SWITCH
⊞	OUTSIDE STEM & YOKE GATE VALVE
⊞	BUTTERFLY VALVE
⊞	ANGLE VALVE
⊞	GLOBE VALVE
⊞	CHECK VALVE
⊞	HORN/STROBE ASSEMBLY
⊞	FIRE HYDRANT
⊞	FIRE DEPARTMENT CONNECTION
⊞	PIPE CENTERLINE FROM FINISHED FLOOR
⊞	HYDRAULIC NODE POINT
⊞	ROOM NUMBER WITH CEILING HEIGHT
⊞	CEILING HEIGHT
⊞	RISER
⊞	FLANGE
⊞	GROOVED ELBOW UP
⊞	GROOVED ELBOW DOWN
⊞	GROOVED COUPLING
⊞	SCREWED ELBOW DOWN
⊞	SCREWED ELBOW UP
⊞	HANGER SYMBOL #1
⊞	HANGER SYMBOL #2
⊞	HANGER SYMBOL #3
⊞	HANGER SYMBOL #4
⊞	HANGER SYMBOL #5
⊞	SOLID WALL PLATE
⊞	HEAD BOX
⊞	TAPPING VALVE
⊞	THRUST BLOCKING/PLUG
⊞	NEW SPRINKLER PIPE
⊞	NEW UNDERGROUND FIRE SERVICE
⊞	EXISTING UNDERGROUND WATER MAIN/FIRE MAIN
⊞	CIF
⊞	ALL THREAD ROD
⊞	UNLESS OTHERWISE NOTED
⊞	TOE
⊞	TBE
⊞	GOE
⊞	GBE
⊞	T&G
⊞	O&S&Y
⊞	W/
⊞	DN
⊞	RN
⊞	FG
⊞	AFF
⊞	SK



- FIRE SPRINKLER NOTES**
- 1) SPRINKLER SYSTEM SHALL COMPLY WITH INSURANCE SERVICES OFFICE REQUIREMENTS, N.F.P.A. #13R AND STATE OF MONTANA CODE.
 - 2) SPRINKLER SYSTEM SHALL BE DESIGNED TO PROVIDE A HYDRAULIC DENSITY OF 10.5 G.P.M. OVER REMOTE 4 HEADS.
 - 3) 3/4" THRU 2" PIPE SHALL BE CPVC WITH CPVC SOLVENT FITTINGS U.O.N.
 - 4) SPRINKLER HEADS SHALL BE ORIFICE, STYLE AND TEMPERATURE TO MEET CODE.
 - 5) SYSTEM TEST SHALL BE WITNESSED BY BIG SKY FIRE DEPT. PERSONNEL PRIOR TO ANY PORTION BEING CONCEALED - GIVE 48 HOURS NOTICE.
 - 6) NO INSTALLATION OF ANY PIPING OR EQUIPMENT IS TO BEGON PRIOR TO APPROVAL OF PLANS AND ISSUANCE OF A PERMIT BY THE STATE OF MONTANA.

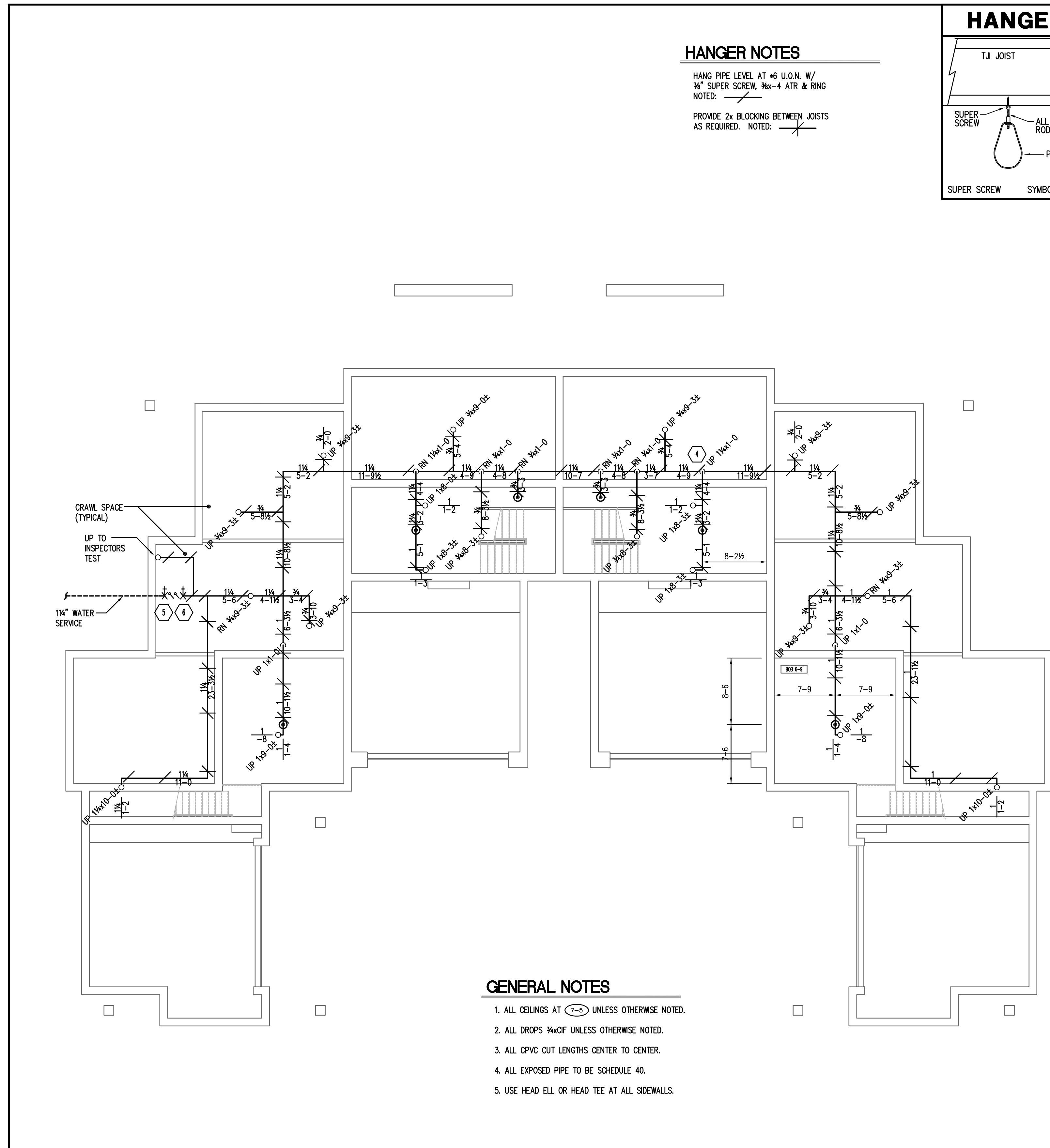
NOTICE	APPROVALS & COORDINATION	HYDRAULIC DESIGN DATA	SPRINKLER HEADS
IT IS THE OWNERS RESPONSIBILITY TO PROVIDE ADEQUATE HEAT TO PREVENT FREEZING THROUGHOUT WET PIPE SPRINKLER SYSTEM AREAS AND IN ENCLOSURES FOR DRY PIPE AND OTHER TYPES OF VALVES CONTROLLING WATER SUPPLIES TO SPRINKLER SYSTEMS.	ORGANIZATION: BIG SKY FIRE MARSHALL	HAZARD CLASSIFICATION: RESIDENTIAL	MANUFACTURER:
	CONTACT: BOB STOVER	PHONE: 406-995-2100	MODEL:
		SYSTEM AREA: 324 SQ. FT. NO. MAX	TYPE:
		HYDRAULIC DESIGN DATA: 0.03 GPM/50. FT. HOSE ALLOW: - GPM	FINISH:
		AREA OF APPLICATION: 4 REMOTE HEADS SQ. FT.	ORIFICE:
	TOTAL SYSTEM REQUIREMENTS: 44.4 GPM AT 67.4 PSI AT BASE OF RISER	WATER SUPPLY INFORMATION	DROP:
	STATIC PRESSURE: 100 PSI	RESIDUAL PRESSURE: 80 PSI WITH 1060 GPM FLOWING	CANOPY:
	TEST TAKEN AT: CURLEY BEAR ROAD	DATE: JUNE 14, 1996	TEMP:
			SYMBOL:
			QUANTITY:
			TOTAL:

Sprinkler Technology Design, Inc.
15 South Tracy #14, Bozeman, MT 59715
ph. 406-582-1936 fax. 406-585-8332

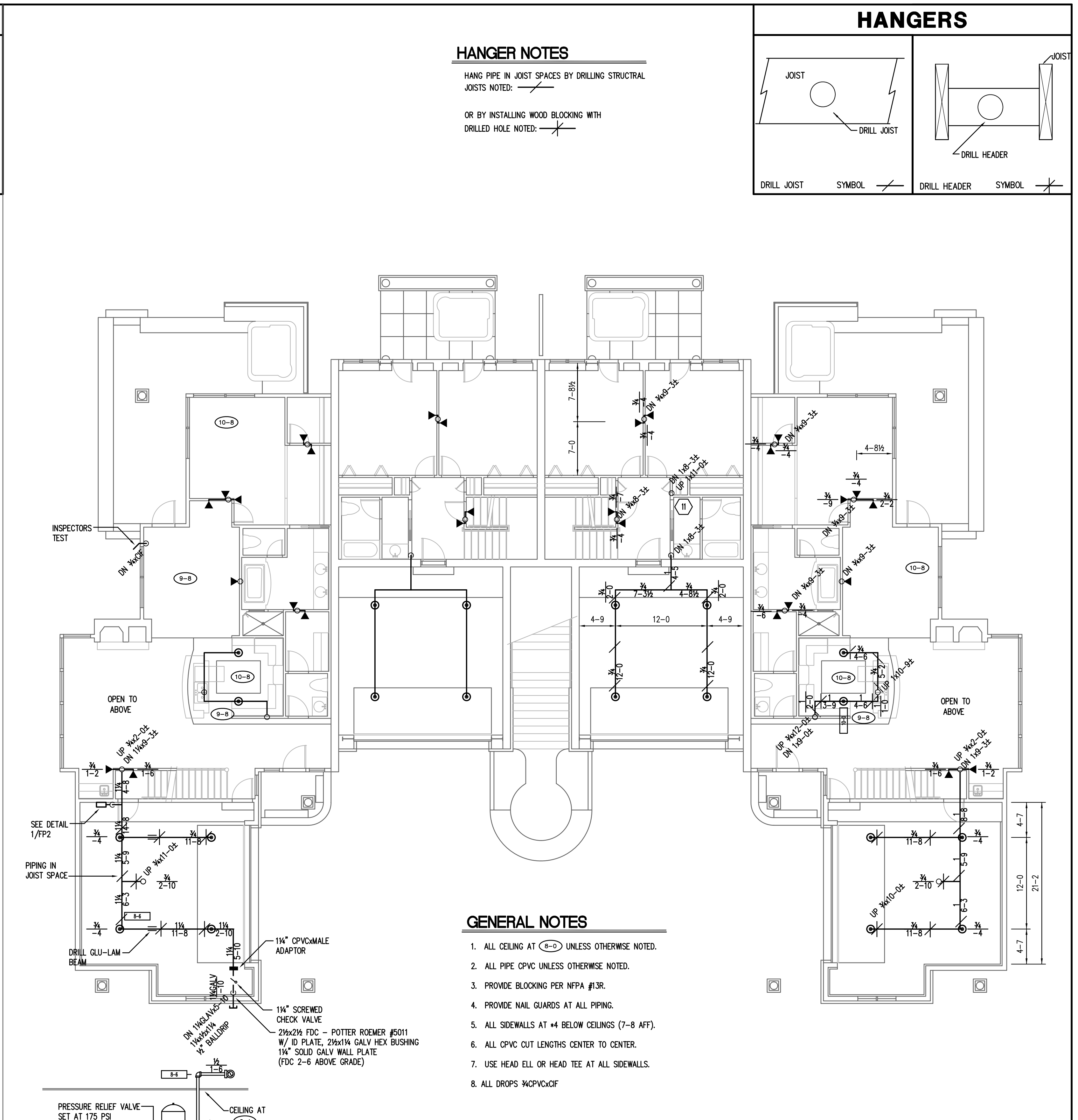
Security FIRE PROTECTION INC.
P.O. BOX 5868
HELENA, MONTANA 59604
(406) 443-3551

REVISIONS		
NO.	DATE	DESCRIPTION
1	8-22-97	REVISED
2	10-10-97	REVISED PER LISTING

CONTRACT NAME: CRAIL CREEK CONDOMINIUMS CURLEY BEAR ROAD BIG SKY, MONTANA	SCALE: 1/8" = 1'-0"
CONTRACT WITH: WEST FORK DEVELOPMENT COMPANY P.O. BOX 160330 BIG SKY, MONTANA 59716	DRAWN BY: M. GOUVEIA CHECKED BY: D. HUGHES DATE: 5-01-97 CONTRACT NO.: SPRINK TECH. NO. 97186 SHEET NO.: FP1



A BASEMENT FIRE SPRINKLER PLAN
 FP2 1/8" = 1'-0"



B FIRST FLOOR FIRE SPRINKLER PLAN
 FP2 1/8" = 1'-0"

1 DETAIL
 FP2 N.T.S.

NOTICE
 IT IS THE OWNERS RESPONSIBILITY TO PROVIDE ADEQUATE HEAT TO PREVENT FREEZING THROUGHOUT WET PIPE SPRINKLER SYSTEM AREAS AND IN ENCLOSURES FOR DRY PIPE AND OTHER TYPES OF VALVES CONTROLLING WATER SUPPLIES TO SPRINKLER SYSTEMS.

APPROVALS & COORDINATION		
ORGANIZATION	CONTACT	PHONE

HYDRAULIC DESIGN DATA			
HAZARD CLASSIFICATION:	SYSTEM AREA:	SQ. FT.	
HYDRAULIC DESIGN DATA:	GPM/SQ. FT.	SQ. FT./NO. MAX	
AREA OF APPLICATION:	SQ. FT.	HOSE ALLOW:	GPM
TOTAL SYSTEM REQUIREMENTS:			
GPM AT PSI AT			
WATER SUPPLY INFORMATION:			
STATIC PRESSURE:	PSI		
RESIDUAL PRESSURE:	PSI WITH	GPM FLOWING	
TEST TAKEN AT:	BY:	DATE:	

SPRINKLER HEADS											
MANUFACTURER	MODEL	TYPE	FINISH	ORIFICE	DROP	CANOPY	TEMP	SYMBOL	QUANTITY		
CENTRAL	LF	SSP	WHT	1/2" K=3.0	28	WHT RECD	155°	☉	26		
CENTRAL	LF	SSW	WHT	1/2" K=3.5		WHT RECD	155°	◀	28		
TOTAL									26		54

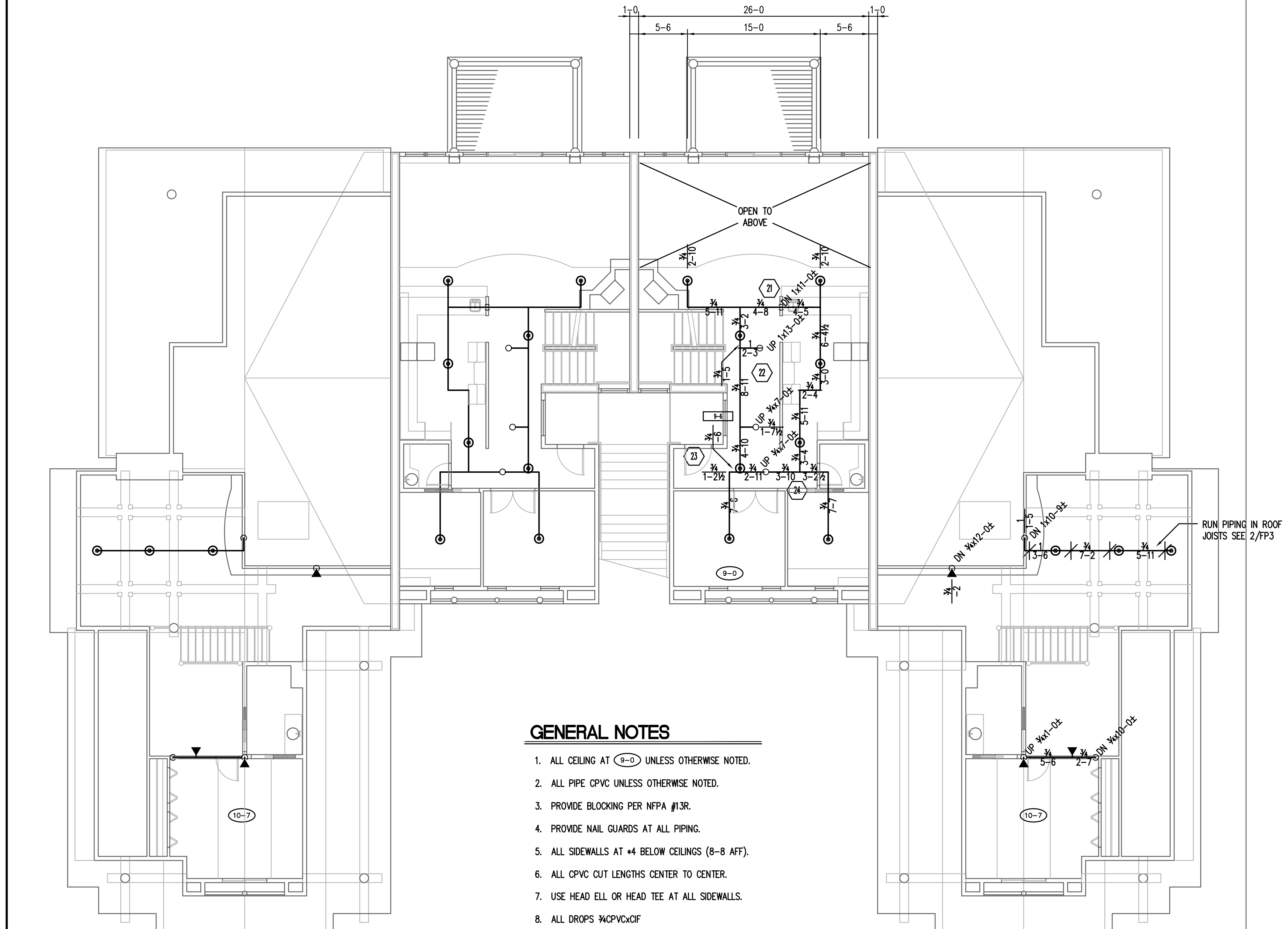
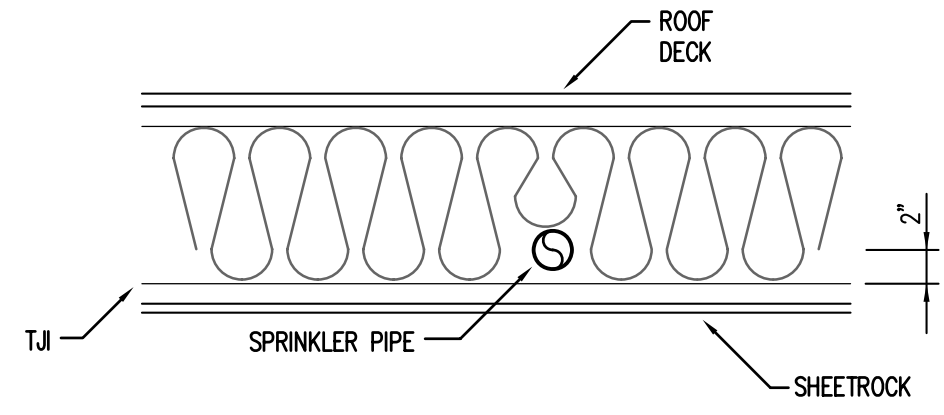
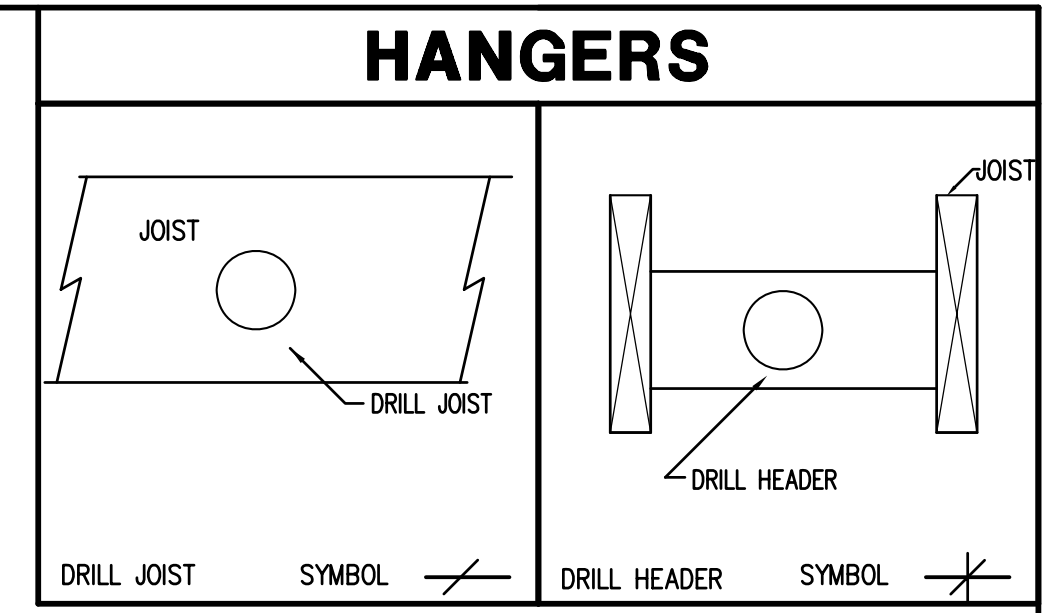
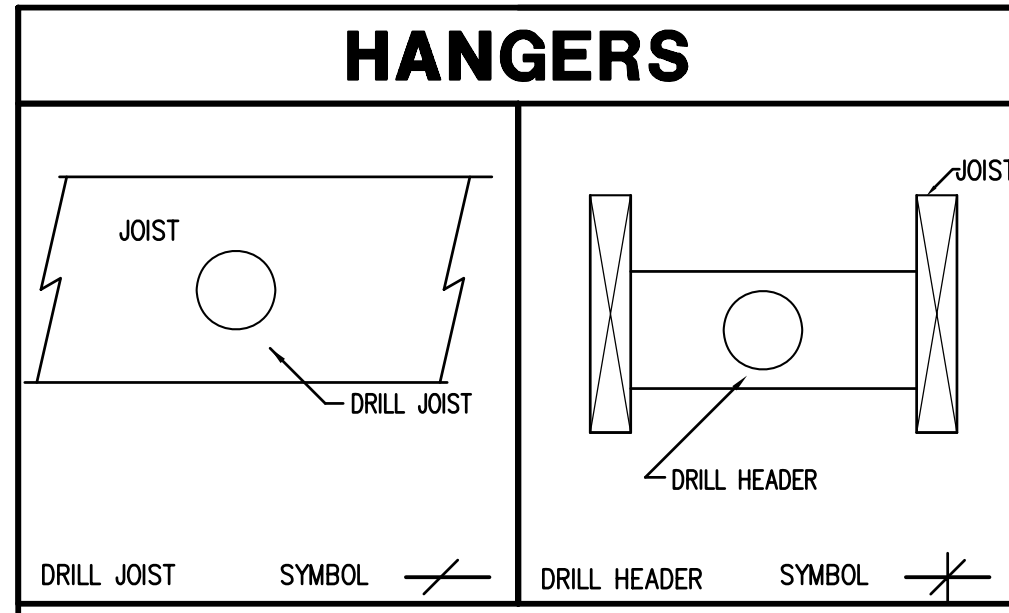
Sprinkler Technology Design, Inc.
 15 South Tracy #14, Bozeman, MT 59715
 ph. 406-582-1936 fax. 406-585-8332

Security FIRE PROTECTION INC.
 P.O. BOX 5868
 BOZEMAN, MONTANA 59604
 (406) 443-3501

REVISIONS		
NO.	DATE	DESCRIPTION
1	9-22-97	REVISED
2	10-10-97	REVISED PER LISTING

CONTRACT NAME:	CRAIL CREEK CONDOMINIUMS CURLEY BEAR ROAD BIG SKY, MONTANA
CONTRACT WITH:	WEST FORK DEVELOPMENT COMPANY P.O. BOX 160330 BIG SKY, MONTANA 59716
DESCRIPTION:	BASEMENT/FIRST FLOOR PIPING PLAN

SCALE: 1/8" = 1'-0"
 DRAWN BY: M.GOUVEIA
 CHECKED BY: D. HUGHES
 DATE: 5-01-97
 CONTRACT NO.:
 SPRINK TECH. NO.: 97186
 SHEET NO.: **FP2**



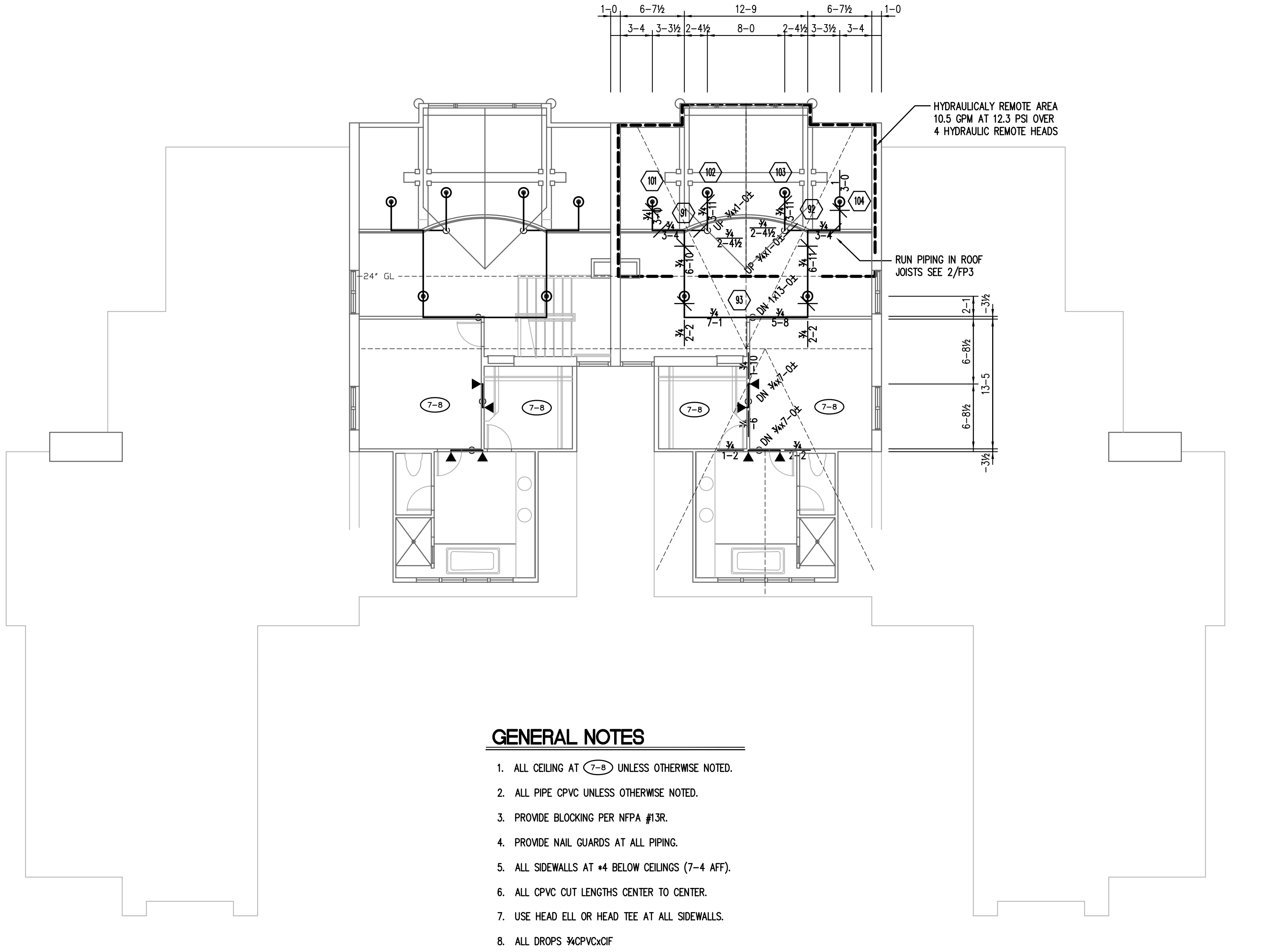
GENERAL NOTES

1. ALL CEILING AT (8-0) UNLESS OTHERWISE NOTED.
2. ALL PIPE CPVC UNLESS OTHERWISE NOTED.
3. PROVIDE BLOCKING PER NFPA #13R.
4. PROVIDE NAIL GUARDS AT ALL PIPING.
5. ALL SIDEWALLS AT +4 BELOW CEILINGS (8-8 AFF).
6. ALL CPVC CUT LENGTHS CENTER TO CENTER.
7. USE HEAD ELL OR HEAD TEE AT ALL SIDEWALLS.
8. ALL DROPS #4CPVCXOF

HANGER NOTES

HANG PIPE IN JOIST SPACES BY DRILLING STRUCTURAL JOISTS NOTED: —

OR BY INSTALLING WOOD BLOCKING WITH DRILLED HOLE NOTED: —



GENERAL NOTES

1. ALL CEILING AT (7-8) UNLESS OTHERWISE NOTED.
2. ALL PIPE CPVC UNLESS OTHERWISE NOTED.
3. PROVIDE BLOCKING PER NFPA #13R.
4. PROVIDE NAIL GUARDS AT ALL PIPING.
5. ALL SIDEWALLS AT +4 BELOW CEILINGS (7-4 AFF).
6. ALL CPVC CUT LENGTHS CENTER TO CENTER.
7. USE HEAD ELL OR HEAD TEE AT ALL SIDEWALLS.
8. ALL DROPS #4CPVCXOF

HANGER NOTES

HANG PIPE IN JOIST SPACES BY DRILLING STRUCTURAL JOISTS NOTED: —

OR BY INSTALLING WOOD BLOCKING WITH DRILLED HOLE NOTED: —

NOTICE

IT IS THE OWNERS RESPONSIBILITY TO PROVIDE ADEQUATE HEAT TO PREVENT FREEZING THROUGHOUT WET PIPE SPRINKLER SYSTEM AREAS AND IN ENCLOSURES FOR DRY PIPE AND OTHER TYPES OF VALVES CONTROLLING WATER SUPPLIES TO SPRINKLER SYSTEMS.

APPROVALS & COORDINATION			HYDRAULIC DESIGN DATA				SPRINKLER HEADS								
ORGANIZATION	CONTACT	PHONE	HAZARD CLASSIFICATION:	SYSTEM AREA:	SQ. FT.	MANUFACTURER	MODEL	TYPE	FINISH	DRIPICE	DROP	CANOPY	TEMP	SYMBOL	QUANTITY
			HYDRAULIC DESIGN DATA:	GPM/50 FT.	SQ. FT./NO. MAX	CENTRAL	LF	SSP	WHT	1/2" K=3.0	34	WHT REC'D	155°	⊗	34
				AREA OF APPLICATION:	SQ. FT.	HOSE ALLOW:	GPM								
				TOTAL SYSTEM REQUIREMENTS:											
				WATER SUPPLY INFORMATION											
				SYSTEM TYPE			STATIC PRESSURE:			PSI AT					
				RESIDUAL PRESSURE:			PSI WITH			GPM FLOWING					
				TEST TAKEN AT:			BY:			DATE:					
							TOTAL			34			TOTAL 48		

Sprinkler Technology Design, Inc.

15 South Tracy #14, Bozeman, MT 59715
ph. 406-582-1936 fax. 406-585-8332

Security FIRE PROTECTION INC.

P.O. BOX 5868
BILLEN, MONTANA 59804
(406) 443-3531

REVISIONS		
NO.	DATE	DESCRIPTION
1	9-22-97	REVISED
2	10-10-97	REVISED PER LISTING

CONTRACT NAME:	
CRAIL CREEK CONDOMINIUMS CURLY BEAR ROAD BIG SKY, MONTANA	
CONTRACT WITH:	
WEST FORK DEVELOPMENT COMPANY P.O. BOX 160330 BIG SKY, MONTANA 59716	
DESCRIPTION:	
SECOND/THIRD SPRINKLER PIPING PLAN	

SCALE: 1/8" = 1'-0"

DRAWN BY: M. GOUVEIA
CHECKED BY: D. HUGHES
DATE: 9-01-97
CONTRACT NO.:
SPRINK TECH. NO: 97186
SHEET NO: **FP3**